

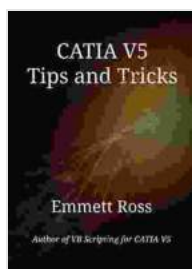
# Catia V5 Tips and Tricks: Unleashing the Power of Design

Welcome to the ultimate guide to mastering Catia V5, the industry-leading CAD software trusted by engineers, designers, and manufacturers worldwide. Whether you're a seasoned Catia user seeking to elevate your skills or a newcomer eager to unlock the software's potential, this book is your indispensable companion.

Our team of experienced Catia experts has meticulously compiled a comprehensive collection of expert tips, time-saving tricks, and step-by-step tutorials to empower you to create stunning designs, flawless assemblies, and professional drawings.

## Chapter 1: Navigating the Catia Interface

Get acquainted with Catia V5's intuitive interface and discover the shortcuts and customization options that will streamline your workflow. Learn to navigate the workbench, manage toolbars, and optimize your workspace for maximum efficiency.



### **CATIA V5 Tips and Tricks** by Veruska Gómez

★★★★☆ 4.3 out of 5

Language : English  
File size : 4033 KB  
Text-to-Speech : Enabled  
Screen Reader : Supported  
Enhanced typesetting : Enabled  
Print length : 81 pages  
Lending : Enabled

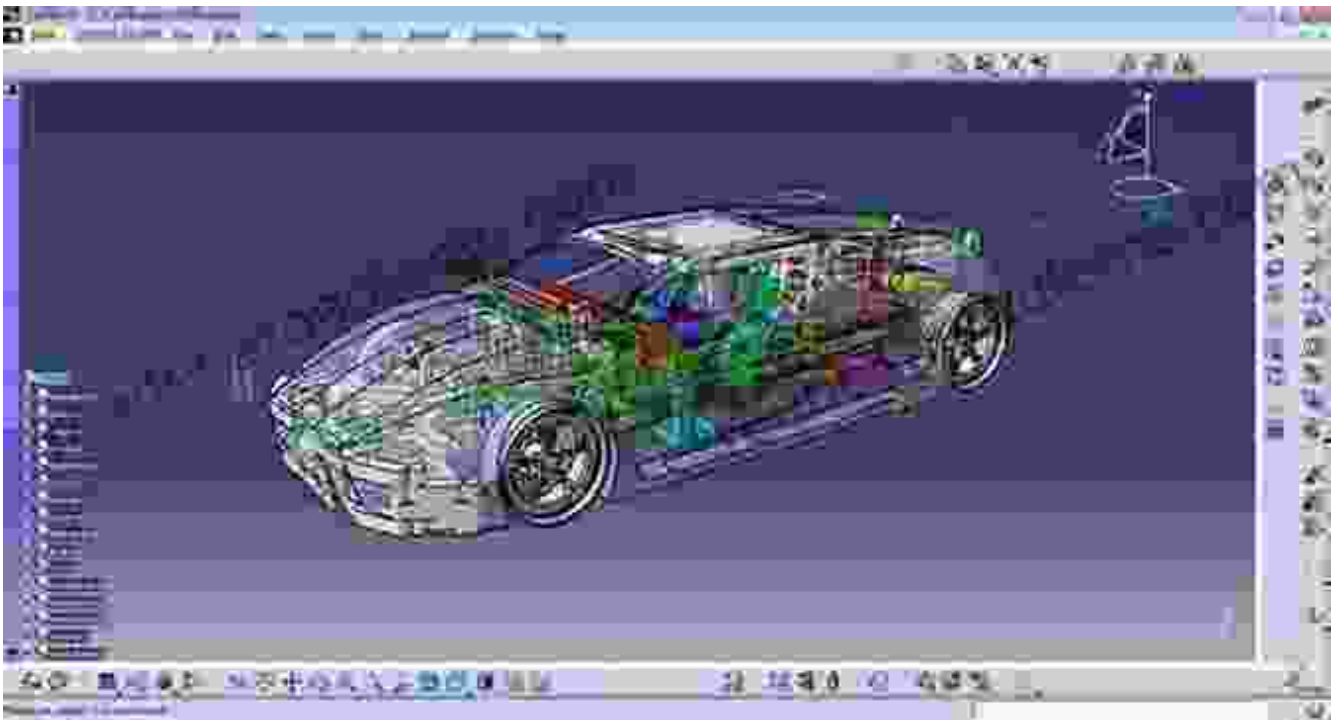
FREE

DOWNLOAD E-BOOK



## Chapter 2: Sketching and Modeling Fundamentals

Master the art of creating precise sketches and transforming them into sophisticated 3D models. This chapter covers essential commands, techniques for curve and surface manipulation, and strategies for creating complex geometries.

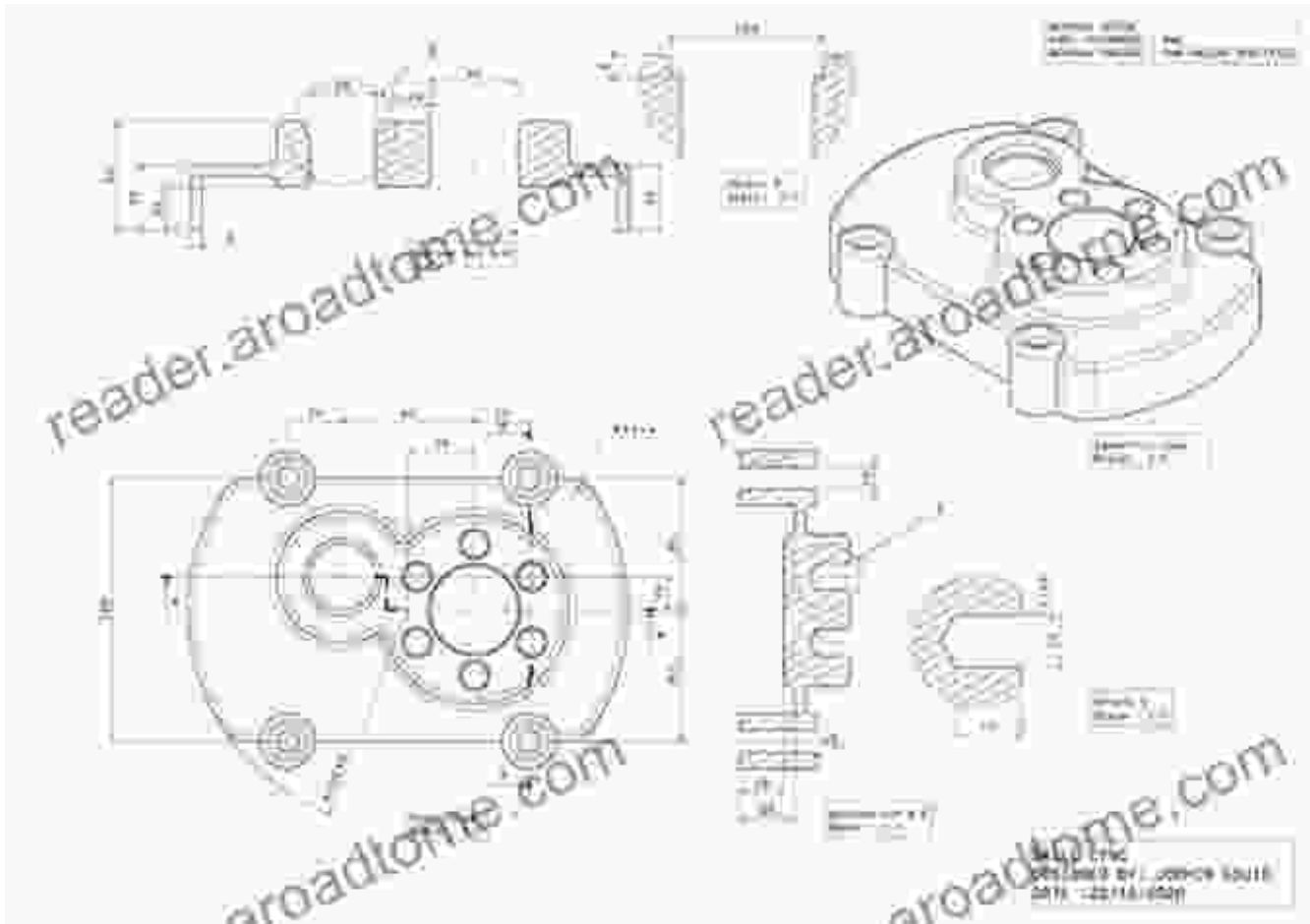


## Chapter 3: Assemblies: Putting It All Together

Learn the intricacies of assembly modeling in Catia V5. Discover how to manage components, create constraints, and simulate motion to ensure your designs work seamlessly as intended.

## Chapter 4: Drawing and Annotation

Transform your designs into professional technical drawings. This chapter provides comprehensive guidance on creating 2D views, dimensioning, annotating, and generating detailed drawings that meet industry standards.



## Chapter 5: Rendering and Visualization

Bring your designs to life with stunning renders and realistic simulations. Explore advanced techniques for material assignment, lighting, and environmental effects to showcase your creations in their best light.

## Chapter 6: Advanced Techniques and Case Studies

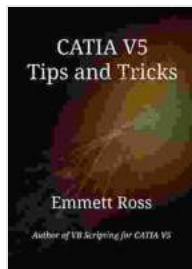
Delve into the advanced capabilities of Catia V5, including surface modeling, parametric design, and finite element analysis. Through real-

world case studies, you'll witness the power of these techniques in action.

Mastering Catia V5 is an essential skill for any aspiring engineer or designer. With our comprehensive guide, you'll gain a competitive edge in the industry, create innovative and awe-inspiring designs, and unlock your full potential as a Catia virtuoso.

## Call-to-Action

Free Download your copy of "Catia V5 Tips and Tricks" today and embark on your journey to CAD mastery. Visit our website or your preferred online retailer to Free Download and unlock the secrets of Catia V5.



### **CATIA V5 Tips and Tricks** by Veruska Gómez

★★★★☆ 4.3 out of 5

Language : English  
File size : 4033 KB  
Text-to-Speech : Enabled  
Screen Reader : Supported  
Enhanced typesetting : Enabled  
Print length : 81 pages  
Lending : Enabled





## **Unveiling the Apprehended Vital Truth for the Bride of Christ**

In the tapestry of life, where trials and tribulations intertwine, there exists a profound truth that guides the Bride of Christ towards a transformative journey....



## **Ways To Master The French Cuisine: A Comprehensive Guide to Culinary Excellence**

Prepare to embark on an extraordinary culinary adventure as we delve into the exquisite world of French cuisine. This comprehensive guide will...