

Creo Parametric Basics: Unlocking the Power of Part Assemblies and Drawings

Creo Parametric, a leading 3D CAD software, empowers engineers and designers to create innovative products with precision and speed. This definitive guide, "Creo Parametric Basics: Part Assemblies and Drawings," provides a comprehensive foundation for mastering the essential concepts of part assemblies and technical drawings, enabling you to transform your design ideas into tangible realities.



Creo Parametric 3.0 Basics - Part 4 (Assemblies and Drawings)

★★★★★ 5 out of 5

Language : English
File size : 8137 KB
Text-to-Speech : Enabled
Screen Reader : Supported
Enhanced typesetting: Enabled
Print length : 136 pages
Lending : Enabled



Chapter 1: Understanding Part Assemblies

* The concept of part assemblies and their significance in product design *
Types of part assemblies: top-down and bottom-up assembly approaches *
Navigating the Creo Parametric assembly workspace and understanding its tools

Chapter 2: Creating and Managing Part Assemblies

- * Step-by-step guide to creating part assemblies using existing components
- * Techniques for aligning, constraining, and mating components
- * Assembly constraints management and their impact on assembly behavior
- * Troubleshooting common assembly issues

Chapter 3: Building Complex Assemblies

- * Advanced techniques for handling large and complex assemblies
- * Creating subassemblies and managing assembly hierarchies
- * Exploded views, section views, and other visualization tools
- * Design for assembly (DFA) principles and their application

Chapter 4: Understanding Engineering Drawings

- * Purpose and importance of engineering drawings in product development
- * Reading and interpreting engineering drawings accurately
- * Types of drawings: assembly, part, and detail drawings
- * Conventions and standards used in drawing creation

Chapter 5: Creating Technical Drawings in Creo Parametric

- * Creating drawing templates and setting up drawing sheets
- * Inserting views and annotations on drawings
- * Dimensioning, tolerancing, and adding other drawing elements
- * Revision control and managing drawing changes

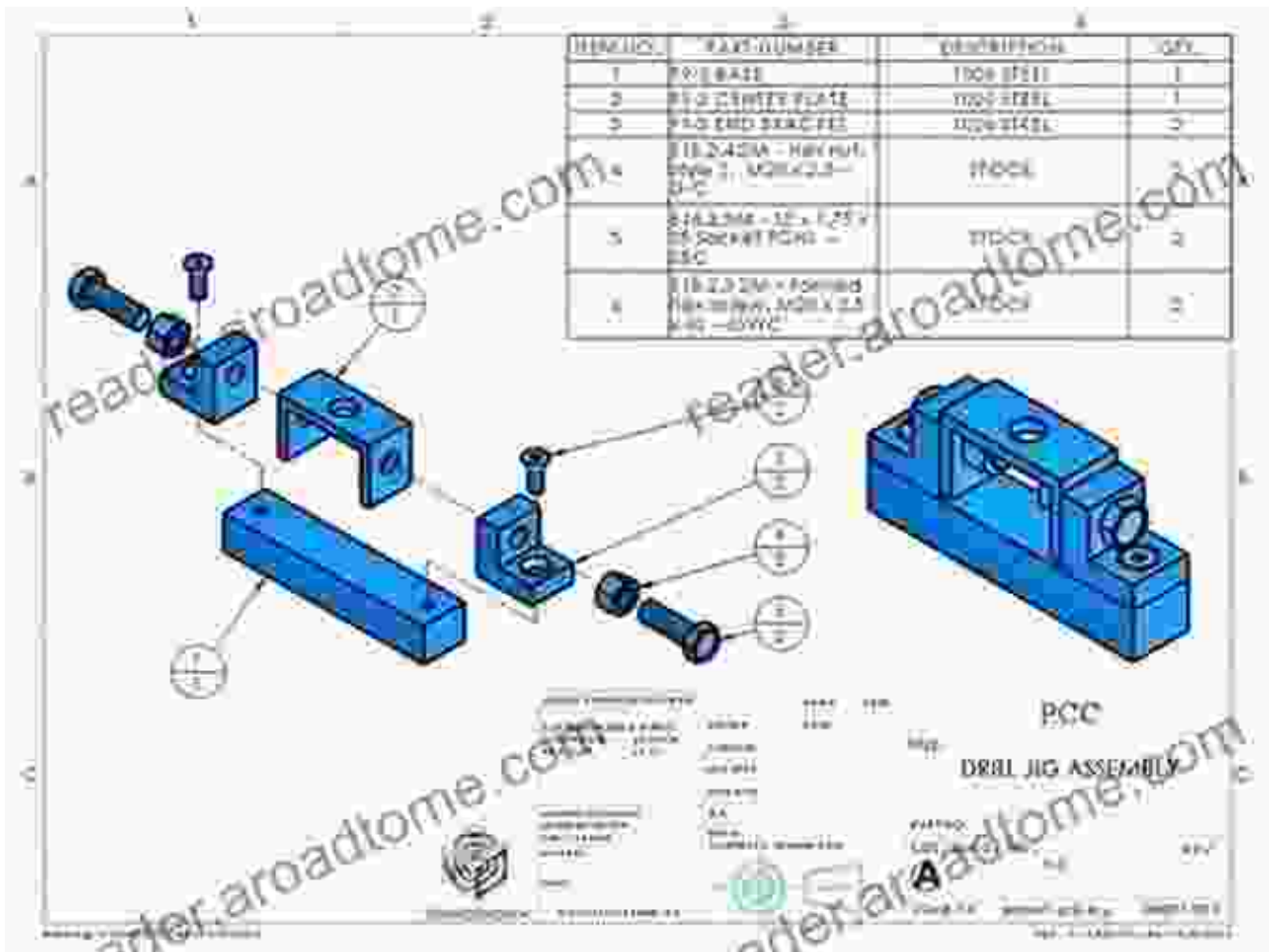
Chapter 6: Advanced Drawing Techniques

- * Creating section views, auxiliary views, and detail views
- * Using drawing layers, tables, and annotations for enhanced clarity
- * Generating 3D models from engineering drawings
- * Sharing and collaborating on drawings using Creo Parametric's collaboration tools

"Creo Parametric Basics: Part Assemblies and Drawings" provides a solid foundation for understanding and applying the principles of part assemblies and engineering drawings. With its clear explanations, comprehensive examples, and practical exercises, this guide equips you with the skills to design, assemble, and document your products with confidence and precision. Whether you're a student, a novice user, or an experienced designer looking to enhance your Creo Parametric skills, this book is an invaluable resource.

Call to Action

Free Download your copy of "Creo Parametric Basics: Part Assemblies and Drawings" today and unlock the power of creating complex designs and precise technical drawings. Join the ranks of skilled Creo Parametric users and elevate your engineering career to new heights.



Creo Parametric 3.0 Basics - Part 4 (Assemblies and Drawings)

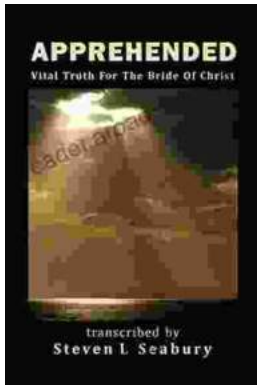
★★★★★ 5 out of 5

Language : English
 File size : 8137 KB
 Text-to-Speech : Enabled
 Screen Reader : Supported
 Enhanced typesetting : Enabled
 Print length : 136 pages
 Lending : Enabled

FREE

DOWNLOAD E-BOOK





Unveiling the Apprehended Vital Truth for the Bride of Christ

In the tapestry of life, where trials and tribulations intertwine, there exists a profound truth that guides the Bride of Christ towards a transformative journey....



Ways To Master The French Cuisine: A Comprehensive Guide to Culinary Excellence

Prepare to embark on an extraordinary culinary adventure as we delve into the exquisite world of French cuisine. This comprehensive guide will...