

Creo Parametric Part Lessons 13-22: Elevate Your 3D Modeling Expertise



Creo Parametric 5.0 Part 3 (Lessons 13-22)

★★★★☆ 4.3 out of 5

Language : English
File size : 67024 KB
Text-to-Speech : Enabled
Screen Reader : Supported
Enhanced typesetting : Enabled
Print length : 276 pages



Welcome to Creo Parametric Part Lessons 13-22, where you'll embark on an immersive journey into advanced part modeling, assembly creation, and drawing creation. This comprehensive guide is meticulously crafted to empower you with the skills and knowledge required to navigate the intricacies of Creo Parametric.

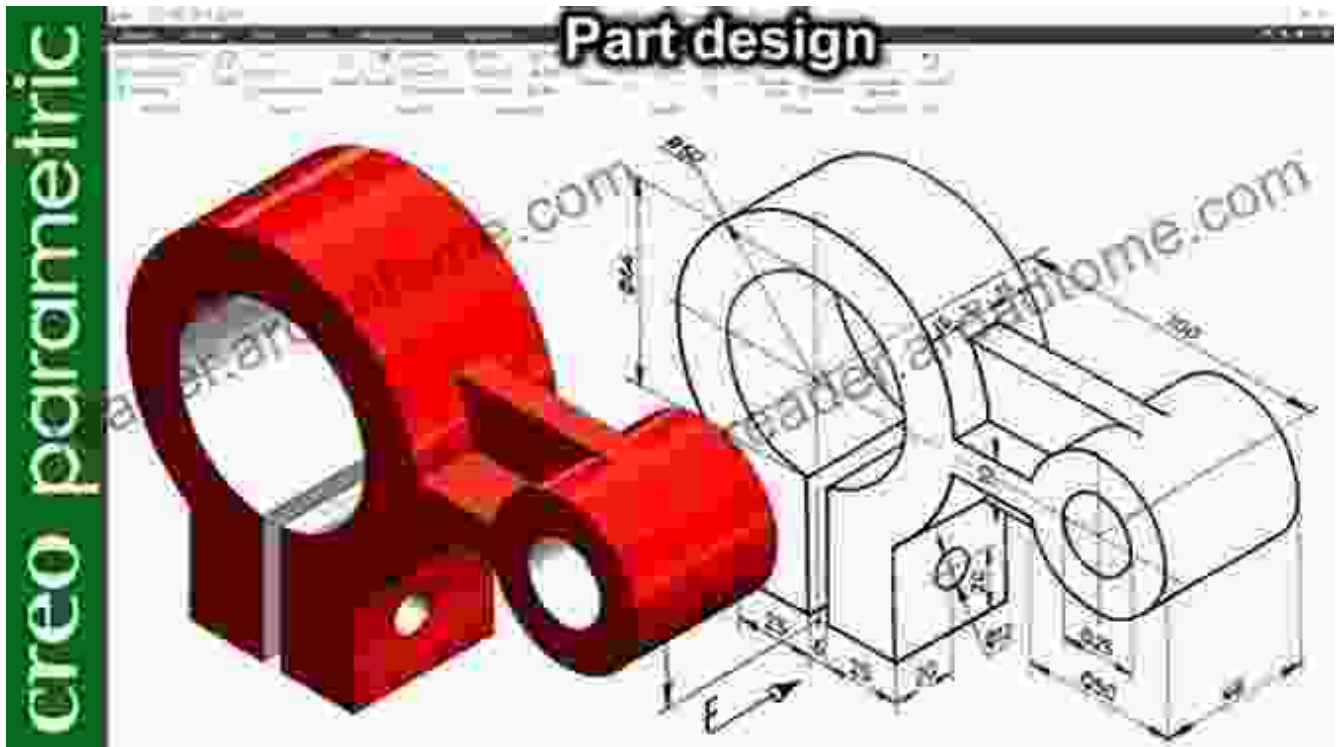
What You'll Learn

- **Advanced Modeling Techniques:** Delve into advanced solids, surfaces, and curves to create complex geometric models.
- **Assembly Creation:** Assemble multiple parts to create functional assemblies, gaining insights into assembly constraints and relationships.
- **Drawing Creation:** Generate detailed engineering drawings from 3D models, leveraging industry-standard annotations and dimensions.

Lesson Overview

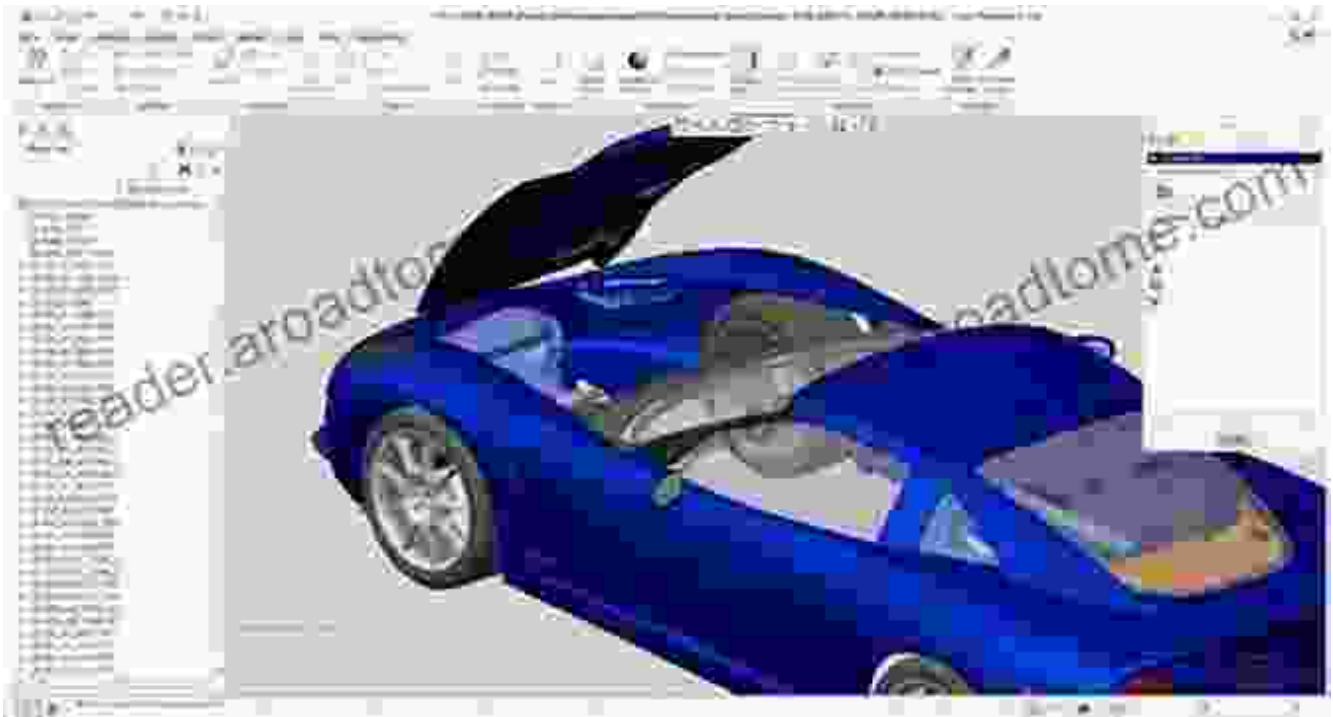
Lesson 13: Advanced Solids

Master advanced solid modeling techniques, including extrusions, revolves, sweeps, and blends. Learn to manipulate and edit complex solid geometries, gaining confidence in creating sophisticated parts.



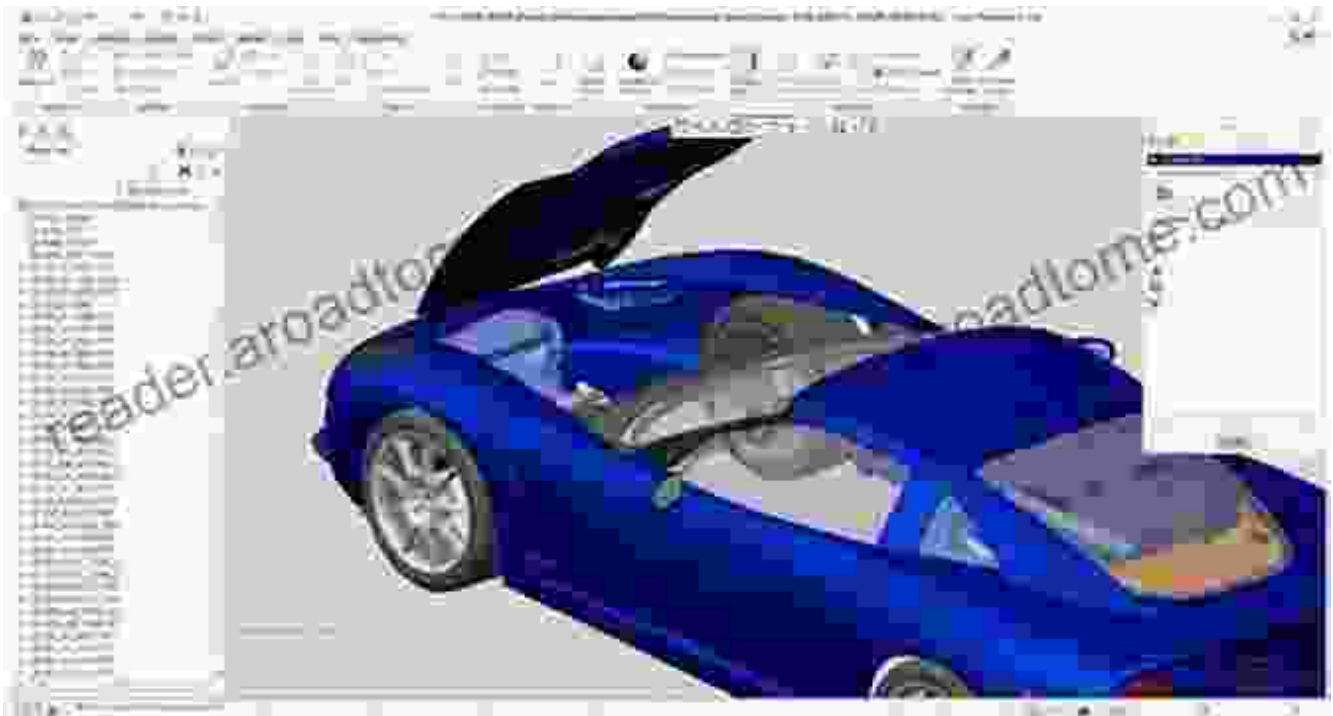
Lesson 14: Advanced Surfaces

Explore the realm of surface modeling, creating freeform and parametric surfaces. Discover how to trim, extend, and manipulate surfaces, expanding your design possibilities.



Lesson 15: Advanced Curves

Delve into the world of curve creation and manipulation. Learn to sketch, edit, and project curves, unlocking new horizons for part design.



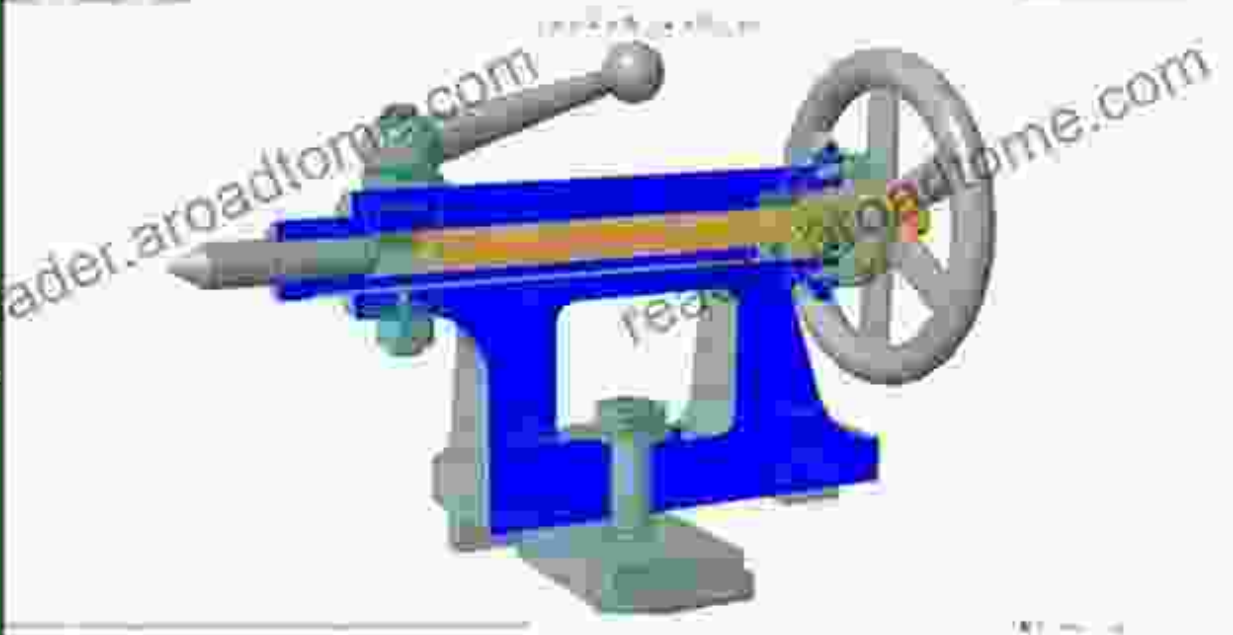
Lesson 16: Assembly Creation - Part 1

Begin your assembly creation journey by understanding the concepts of assembly constraints and relationships. Learn to assemble components, managing constraints, and creating subassemblies.



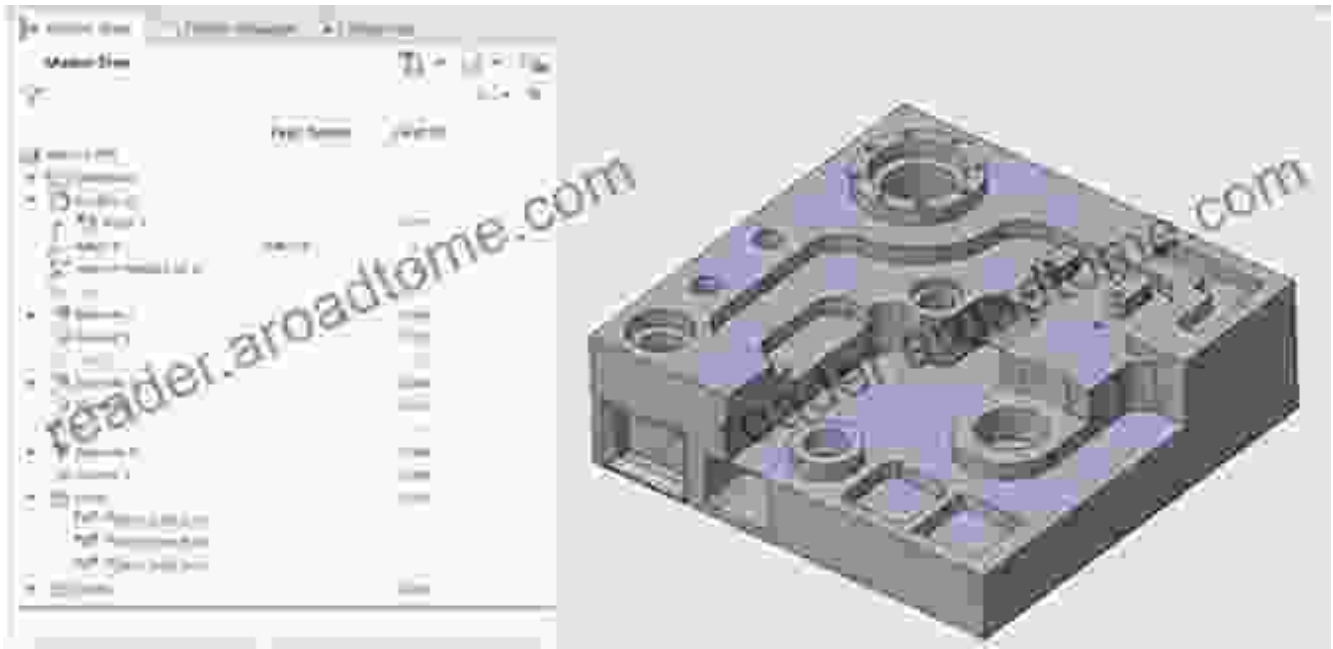
Lesson 17: Assembly Creation - Part 2

Continue your assembly creation exploration, learning advanced techniques such as assembly features, component patterns, and assembly configurations.



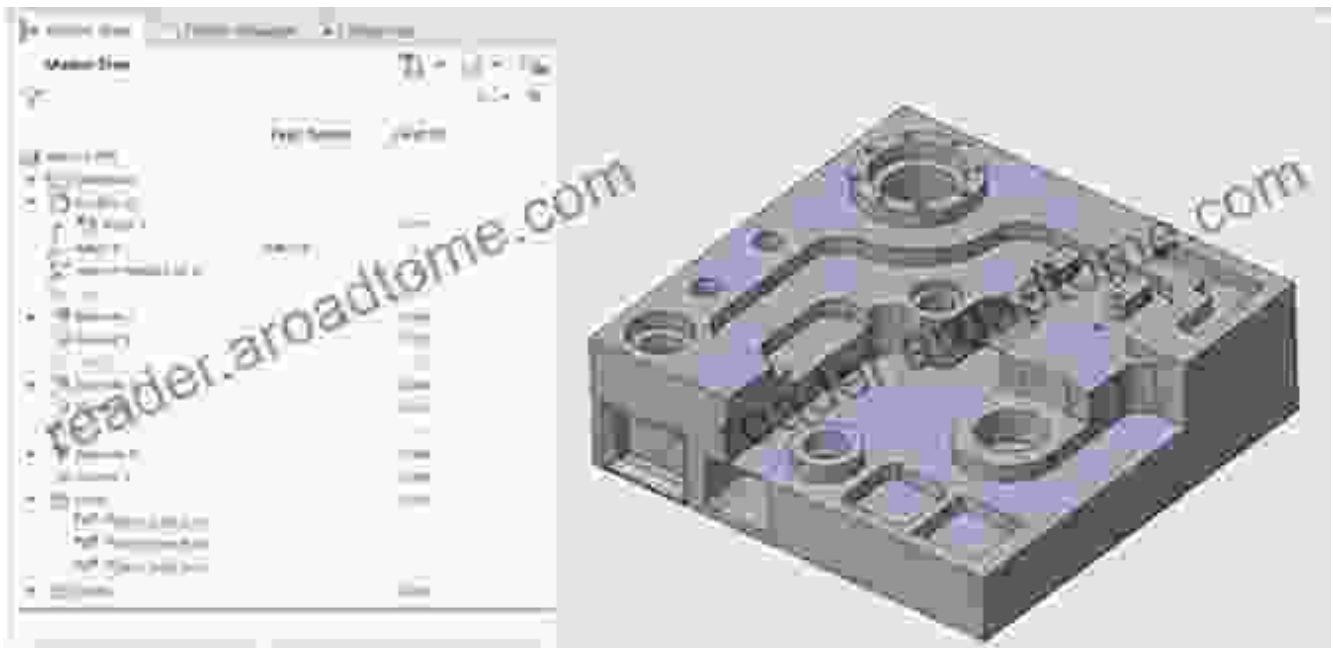
Lesson 18: Drawing Creation - Part 1

Discover the fundamentals of drawing creation, learning to generate 2D views from 3D models. Explore view creation, dimensioning, and annotations, understanding industry-standard practices.



Lesson 19: Drawing Creation - Part 2

Advance your drawing creation skills, leveraging advanced techniques such as section views, detail views, and title blocks. Learn to create professional-grade engineering drawings that convey design intent clearly.



Lesson 20: Customization and Productivity Tips

Enhance your Creo Parametric workflow with customization and productivity tips. Learn to create custom workspaces, macros, and scripts, streamlining your modeling and design processes.

Using Intent References PTC

You can increase the robustness of features using Intent References, which capture the intent of the feature when selecting resulting edges or surfaces (the edges bounding a surface of a feature, or a set of extruded vertices).

Query Select to Intent references, or use "Pick from List" in RMB while creating Rounds, Chamfers, Draft, etc.

No failure after base feature modification

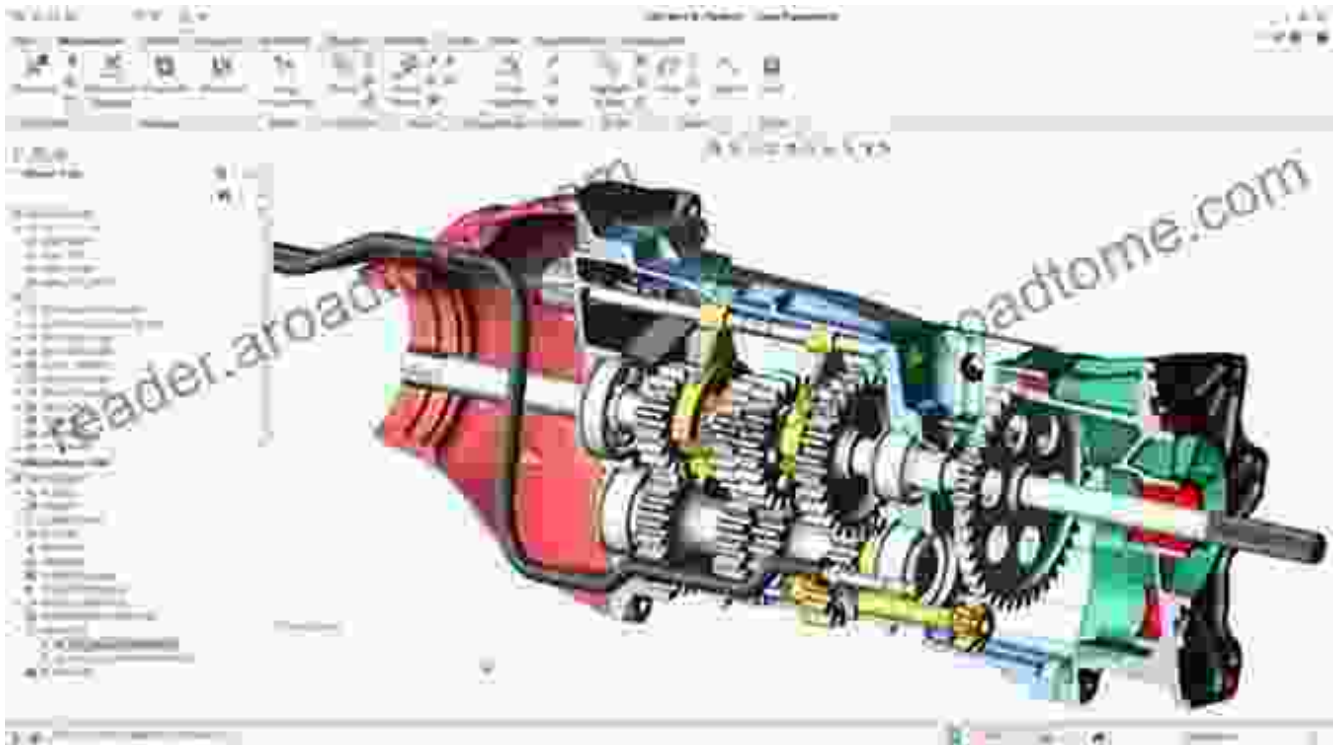
Lesson 21: Troubleshooting and Best Practices

Navigate the challenges of Creo Parametric with confidence. Learn troubleshooting techniques, best practices, and industry standards, equipping yourself to resolve issues efficiently.



Lesson 22: Project-Based Learning

Apply your newfound skills to a real-world project. Design, model, and document a complete assembly, showcasing your mastery of Creo Parametric.



Benefits of Using Creo Parametric

- **Industry-Leading Design Tools:** Creo Parametric is renowned for its powerful and intuitive modeling, assembly, and drawing creation tools.
- **Enhanced Productivity:** Streamline your design processes with customization, automation, and collaboration features.
- **3D Data Management:** Manage and collaborate on your design data securely, ensuring project integrity.
- **Global Support and Training:** Access comprehensive support and training resources from Creo Parametric's worldwide network.

Creo Parametric Part Lessons 13-22 is your comprehensive guide to becoming a proficient Creo Parametric user. With its in-depth content and step-by-step instructions, you'll gain the confidence and skills to tackle even the most complex design challenges. Embrace the advanced techniques,

assembly creation, and drawing creation methods outlined in this book, and elevate your 3D modeling expertise to the next level.

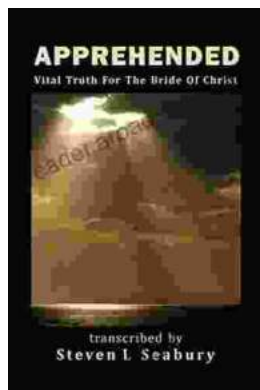
Unlock your Creo Parametric potential today and start creating innovative and groundbreaking designs.



Creo Parametric 5.0 Part 3 (Lessons 13-22)

★★★★☆ 4.3 out of 5

Language : English
File size : 67024 KB
Text-to-Speech : Enabled
Screen Reader : Supported
Enhanced typesetting : Enabled
Print length : 276 pages



Unveiling the Apprehended Vital Truth for the Bride of Christ

In the tapestry of life, where trials and tribulations intertwine, there exists a profound truth that guides the Bride of Christ towards a transformative journey....



Ways To Master The French Cuisine: A Comprehensive Guide to Culinary Excellence

Prepare to embark on an extraordinary culinary adventure as we delve into the exquisite world of French cuisine. This comprehensive guide will...