

Nx For Beginners Part Assemblies And Drawings

to NX CAD: Embarking on Your Design Journey

NX, the industry-leading CAD software from Siemens, empowers engineers and designers to create groundbreaking products with unparalleled efficiency. If you're new to NX, this guide will serve as your ultimate companion, guiding you through the intricacies of part assemblies and drawings to unlock your full design potential.



NX 9 for Beginners - Part 4 (Assemblies and Drawings)

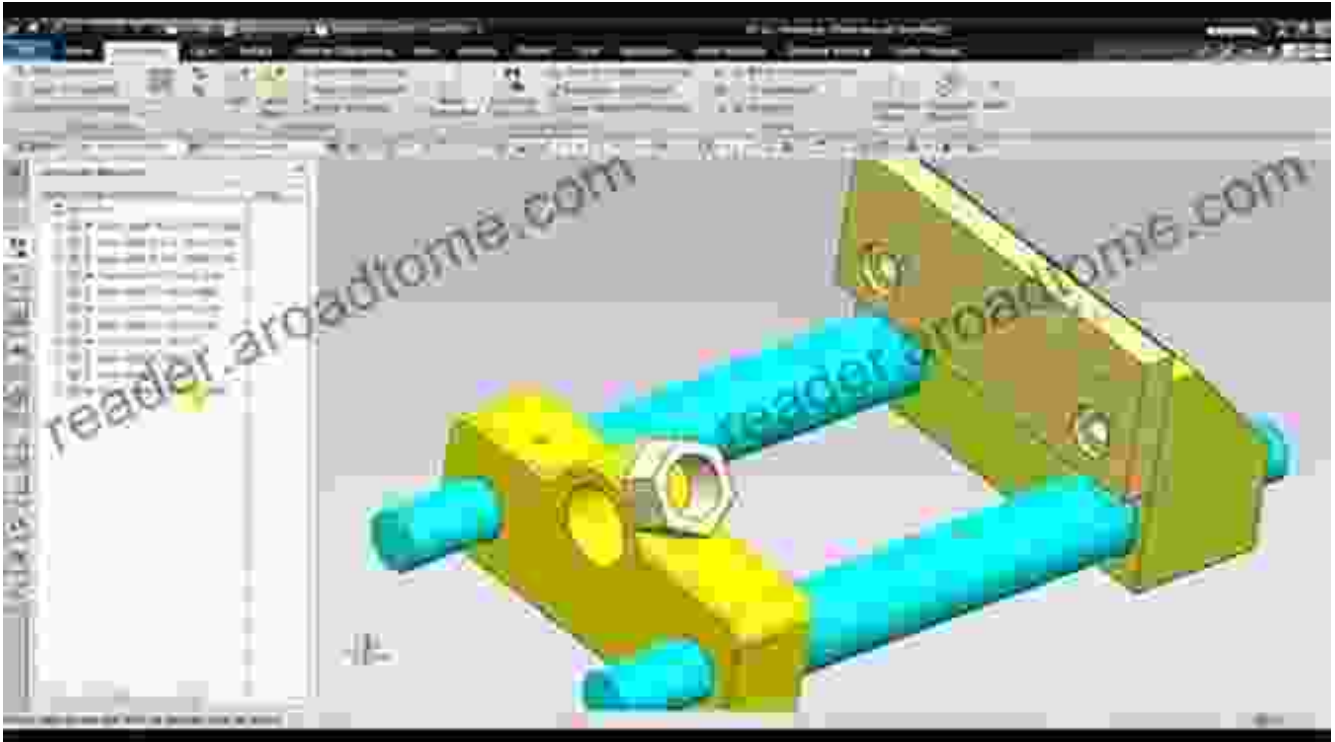
★★★★☆ 4 out of 5

Language	: English
File size	: 11037 KB
Text-to-Speech	: Enabled
Screen Reader	: Supported
Enhanced typesetting	: Enabled
Print length	: 135 pages
Lending	: Enabled



Chapter 1: Understanding Part Assemblies - The Building Blocks of Complex Designs

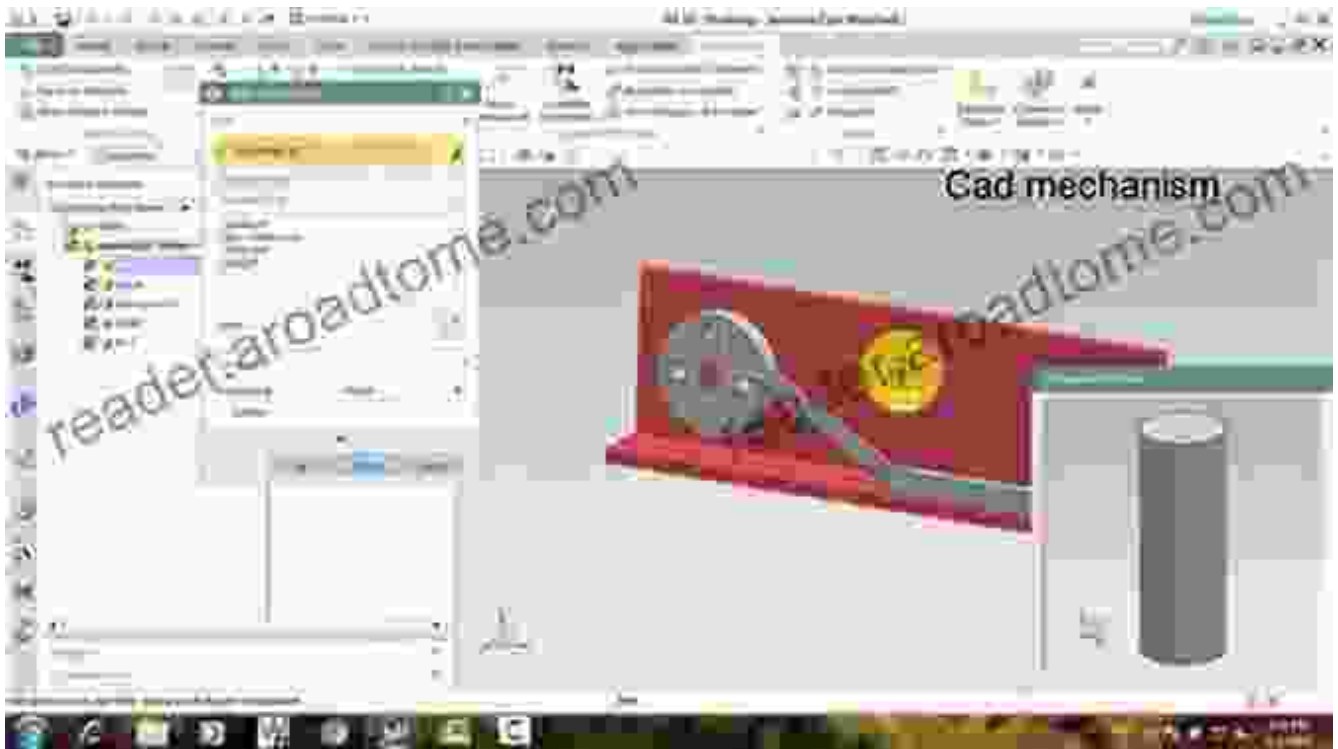
Part assemblies are the foundation of complex designs, enabling you to combine individual parts into a cohesive whole. In this chapter, we'll delve into the concept of part assemblies, exploring their structure, organization, and management techniques.



Chapter 2: Creating and Managing Part Assemblies - A Step-by-Step Guide

Practical experience is key to mastering part assemblies. We'll guide you through the process of creating and managing part assemblies, covering topics such as:

- Inserting and positioning components
- Defining assembly constraints
- Creating and managing assembly features
- Best practices for efficient assembly design



Chapter 3: Advanced Assembly Techniques - Unlocking the Power of NX

As you progress, you'll encounter more complex assembly challenges. This chapter will equip you with advanced techniques to tackle these challenges, including:

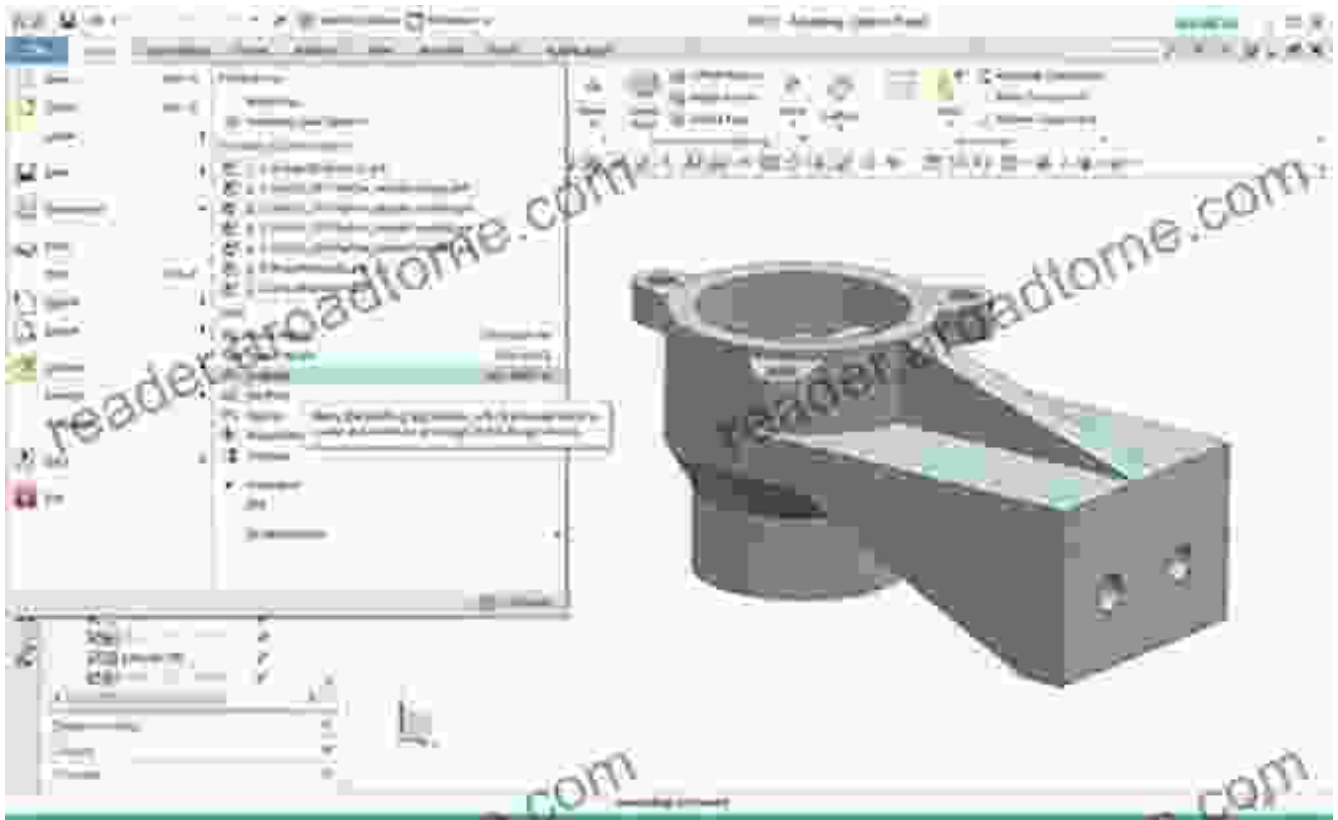
- Working with large assemblies - Managing assembly configurations -
- Using design tools for efficient assembly creation - Troubleshooting common assembly issues



Chapter 4: to Drawings - Communicating Your Designs Effectively

Drawings serve as the blueprint for manufactured products, conveying design intent with precision. In this chapter, you'll learn:

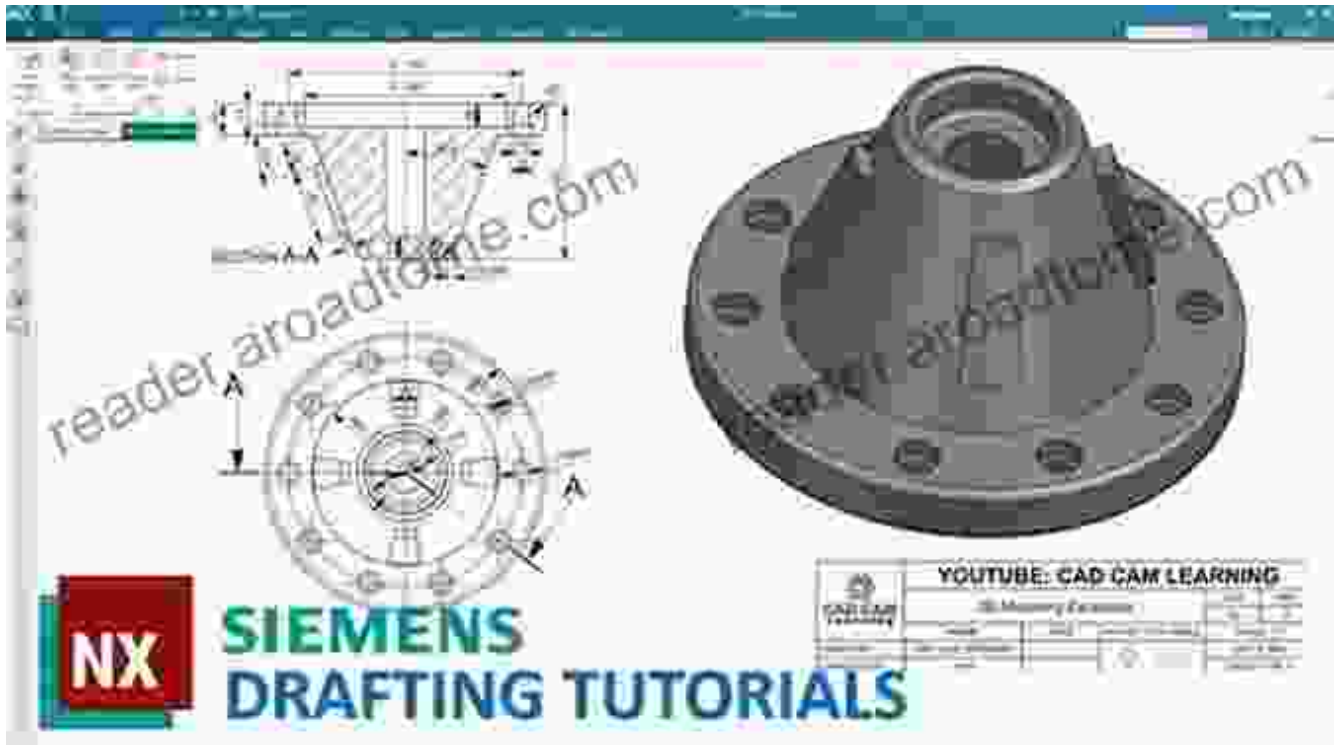
- The basics of drawing creation in NX - Different drawing types and their applications
- Dimensioning and annotation techniques
- Exporting drawings to various formats



Chapter 5: Advanced Drawing Techniques - Mastering the Art of Communication

To elevate your drawings, this chapter covers advanced techniques, such as:

- Creating detailed section views - Using symbols and annotations for clarity - Generating BOMs and title blocks - Customizing drawing templates



Chapter 6: Tips and Tricks for NX Success - A Master's Perspective

Experience is invaluable in any field, and NX is no exception. In this chapter, we'll share practical tips and tricks from seasoned NX users to help you:

- Optimize your workflow for efficiency - Avoid common pitfalls and errors -
- Leverage NX's powerful features to their fullest - Stay updated with the latest NX advancements



: Unleashing Your Design Potential with NX

With the knowledge and skills gained from this guide, you'll be well-equipped to conquer the challenges of part assemblies and drawings in NX. Continue practicing, exploring NX's vast capabilities, and stay attuned to industry best practices to unlock your full design potential.

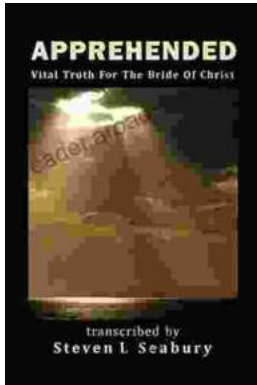


NX 9 for Beginners - Part 4 (Assemblies and Drawings)

★★★★☆ 4 out of 5

Language	: English
File size	: 11037 KB
Text-to-Speech	: Enabled
Screen Reader	: Supported
Enhanced typesetting	: Enabled
Print length	: 135 pages
Lending	: Enabled





Unveiling the Apprehended Vital Truth for the Bride of Christ

In the tapestry of life, where trials and tribulations intertwine, there exists a profound truth that guides the Bride of Christ towards a transformative journey....



Ways To Master The French Cuisine: A Comprehensive Guide to Culinary Excellence

Prepare to embark on an extraordinary culinary adventure as we delve into the exquisite world of French cuisine. This comprehensive guide will...