

Unlock Your Creativity with Arduino LED Projects: A Comprehensive Guide to Lighting Up Your World

Prepare to illuminate your world with the captivating realm of Arduino LED projects! This comprehensive guide will empower you to harness the boundless possibilities of LEDs, unlocking a world of vibrant lighting displays, interactive circuits, and practical applications. Whether you're a seasoned electronics enthusiast or just starting your journey into the world of microcontrollers, this book is your ultimate companion to bring your LED creations to life.



Arduino LED Projects

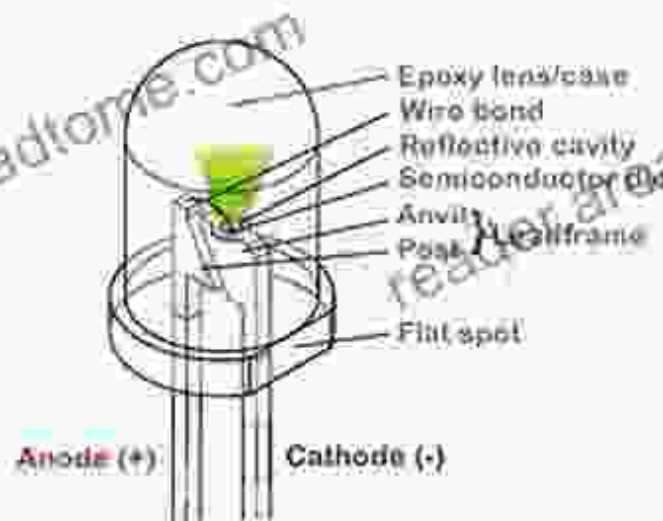
★★★★☆ 4.1 out of 5

Language	: English
File size	: 1913 KB
Text-to-Speech	: Enabled
Screen Reader	: Supported
Enhanced typesetting	: Enabled
Print length	: 89 pages
Lending	: Enabled



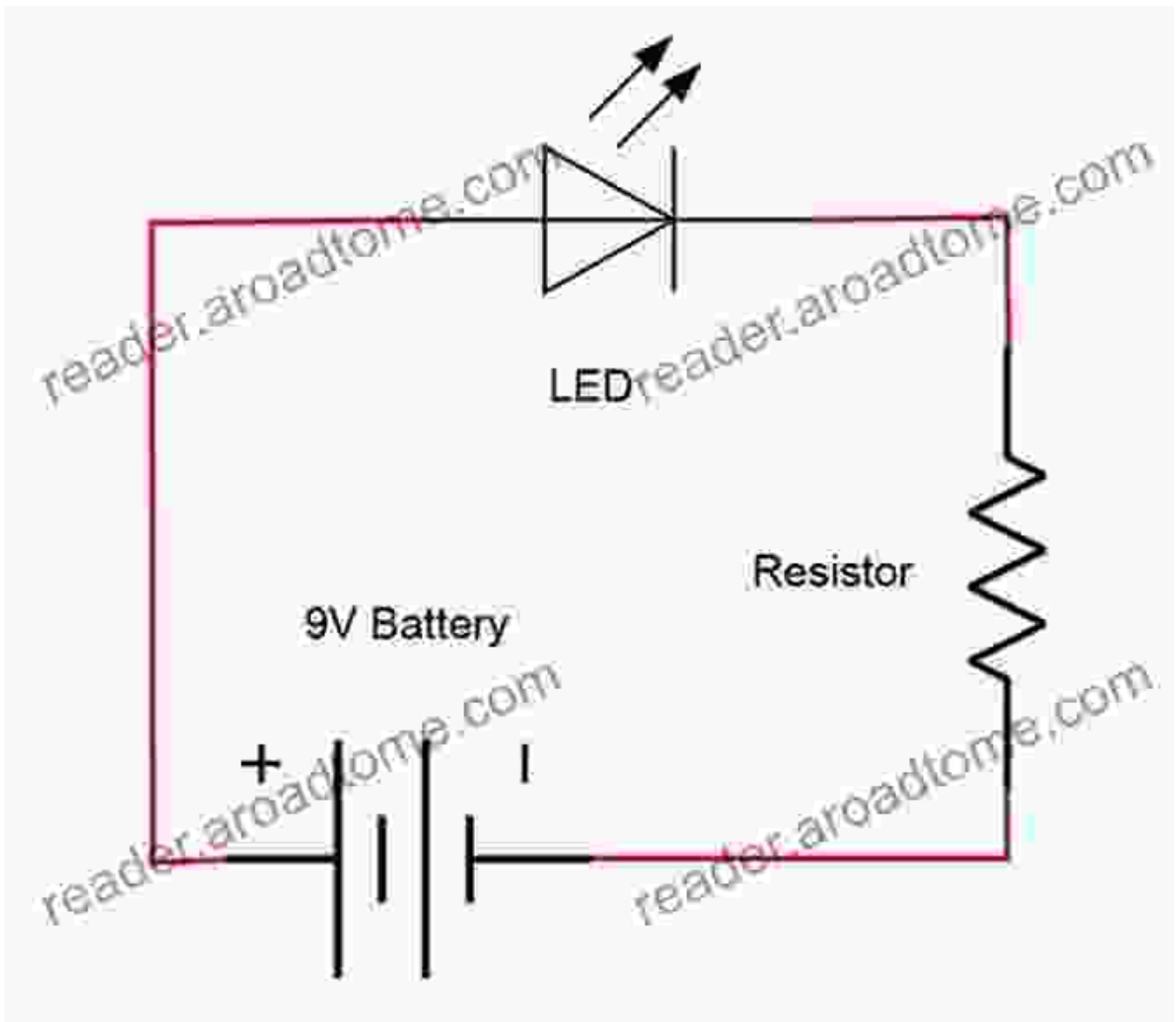
Chapter 1: Understanding LEDs and the Arduino Platform

Light Emitting Diode Parts



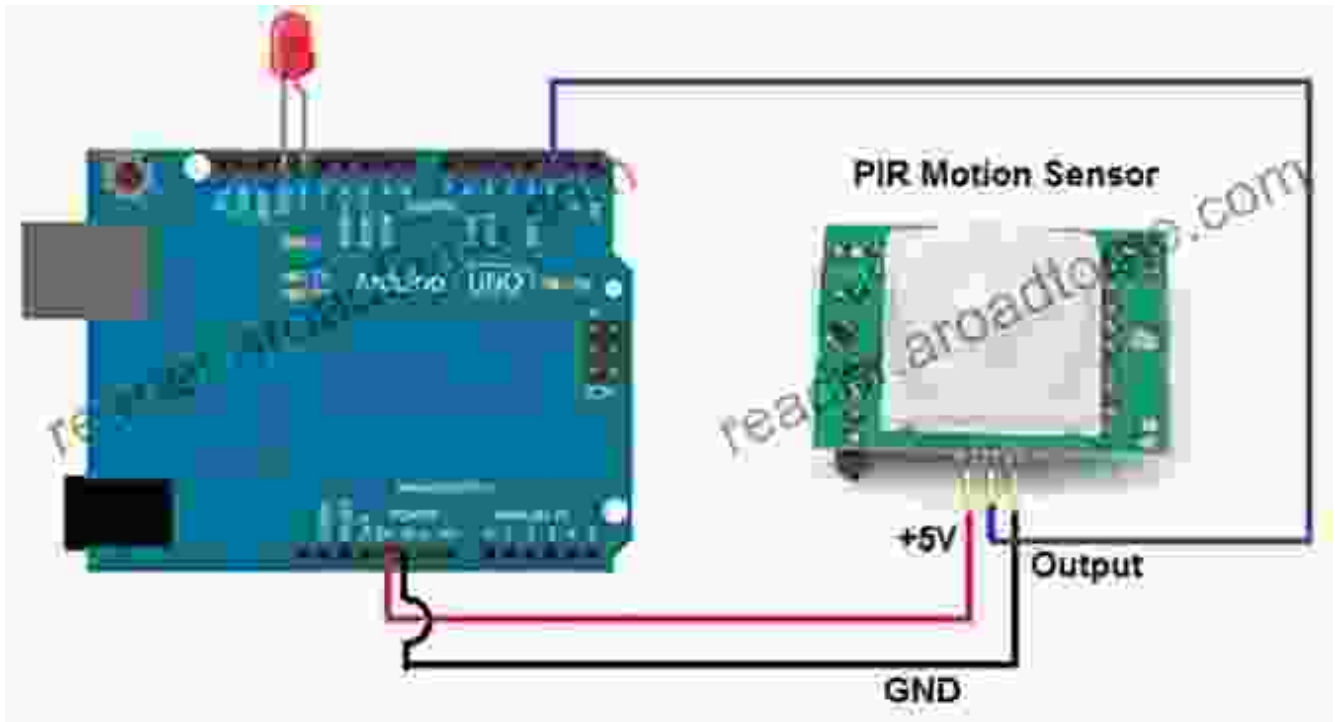
Embark on a foundational journey into the inner workings of LEDs, exploring their electrical characteristics, color variations, and fundamental principles. Delve into the Arduino platform, understanding its hardware components, software environment, and the powerful capabilities it offers for LED control.

Chapter 2: Basic LED Circuits for Beginners



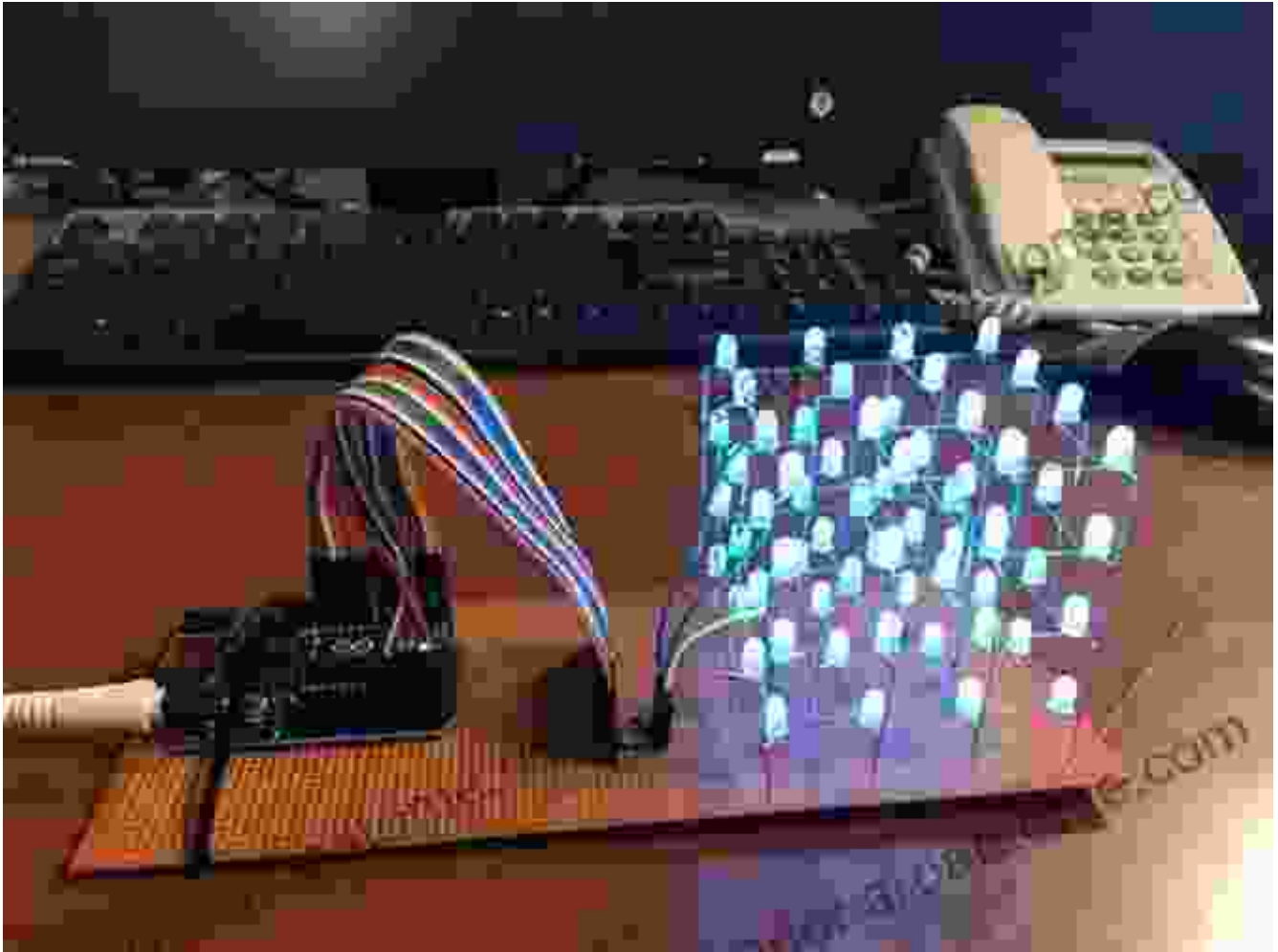
Step into the practical realm with guided instructions for constructing basic LED circuits. Learn how to connect LEDs to Arduino pins, configure resistors for optimal current flow, and experiment with different wiring configurations to create simple lighting effects.

Chapter 3: Interactive LED Projects with Sensors



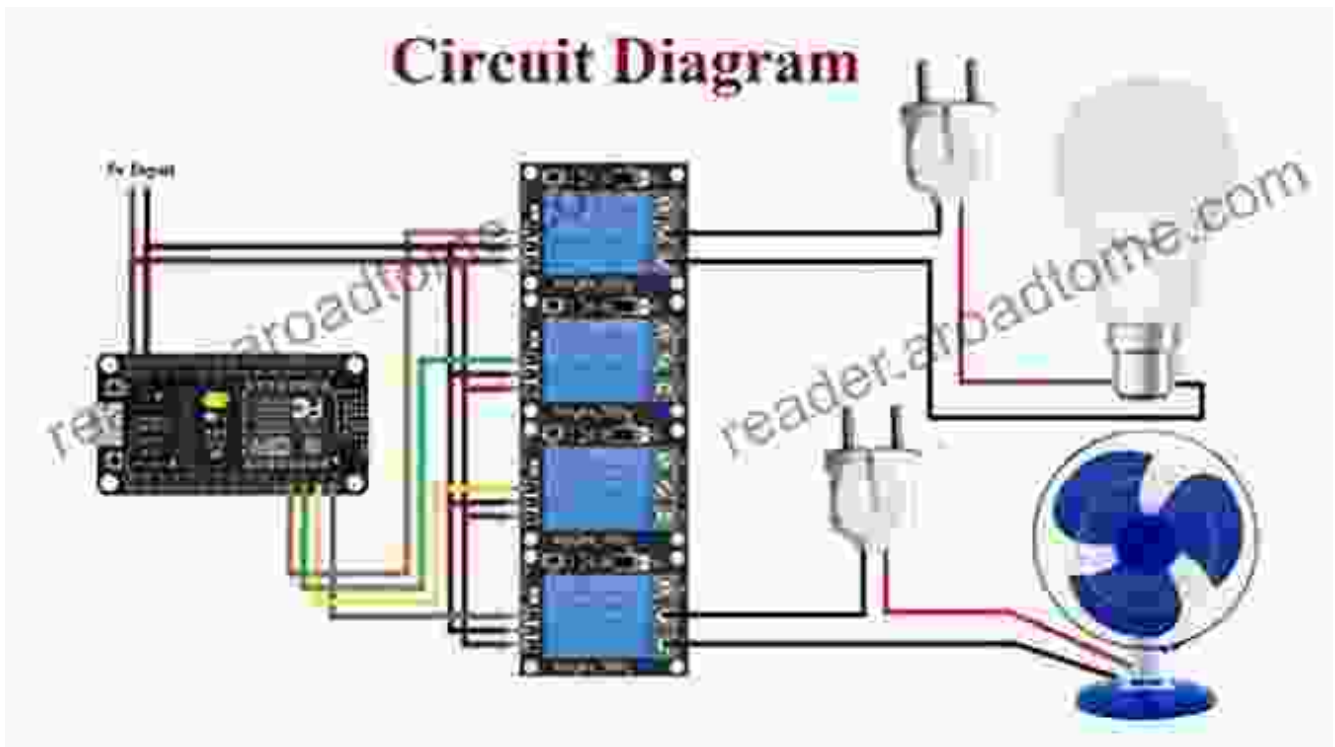
Elevate your projects to the next level by incorporating sensors into your LED designs. Discover how to use motion sensors, light sensors, and temperature sensors to create interactive LED displays that respond to the surrounding environment.

Chapter 4: Advanced LED Effects and Displays



Unleash your creativity with advanced LED techniques. Learn how to create RGB LED color mixing, control multiple LEDs with shift registers, and design captivating LED matrix displays that showcase complex patterns and animations.

Chapter 5: Practical LED Applications for Home and Hobby



Explore the practical applications of Arduino LED projects, transforming your home and hobbies. Create smart LED lighting systems, build interactive gadgets, and design wearable LED devices that add a touch of magic to your daily life.

With 'Arduino LED Projects' as your guide, you'll embark on an illuminating journey, mastering the art of light manipulation with LEDs and Arduino. From basic circuits to advanced displays and practical applications, this book empowers you to bring your creative visions to life. Embrace the world of LED lighting and unlock the endless possibilities that await.



Arduino LED Projects

★★★★☆ 4.1 out of 5

- Language : English
- File size : 1913 KB
- Text-to-Speech : Enabled
- Screen Reader : Supported

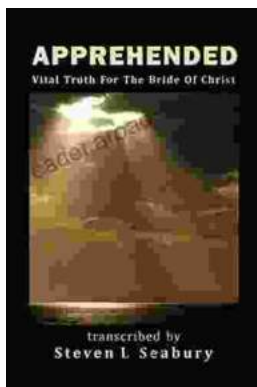
Enhanced typesetting : Enabled

Print length : 89 pages

Lending : Enabled

FREE

DOWNLOAD E-BOOK



Unveiling the Apprehended Vital Truth for the Bride of Christ

In the tapestry of life, where trials and tribulations intertwine, there exists a profound truth that guides the Bride of Christ towards a transformative journey....



Ways To Master The French Cuisine: A Comprehensive Guide to Culinary Excellence

Prepare to embark on an extraordinary culinary adventure as we delve into the exquisite world of French cuisine. This comprehensive guide will...